



DELTA

**KEY CARD SWITCH
89KCM-100A**

INSTRUCTION MANUAL

WARNING!

Read and follow all safety precautions in Instruction Manual - improper use can cause serious injury.

Instruction to Detection Control Board for VRF Series

1. Gate-control Function

This detection control board is only suitable for DELTA VRF indoor unit with gate-control function. The AC will run after plugging in gate-control card and stop running after plugging out the card. Upon plugging out the card to stop the unit, the running states of the unit will be memorized. After plugging in the card, the unit will be under standby state or resume running according to settings. The AC will run when the customer plugs in the card and automatically stop when he plugs out the card, which ensures unit off after leaving of persons and saves energy.

Fig.1 is about simple sketch for communication network of detection control board for VRF series.

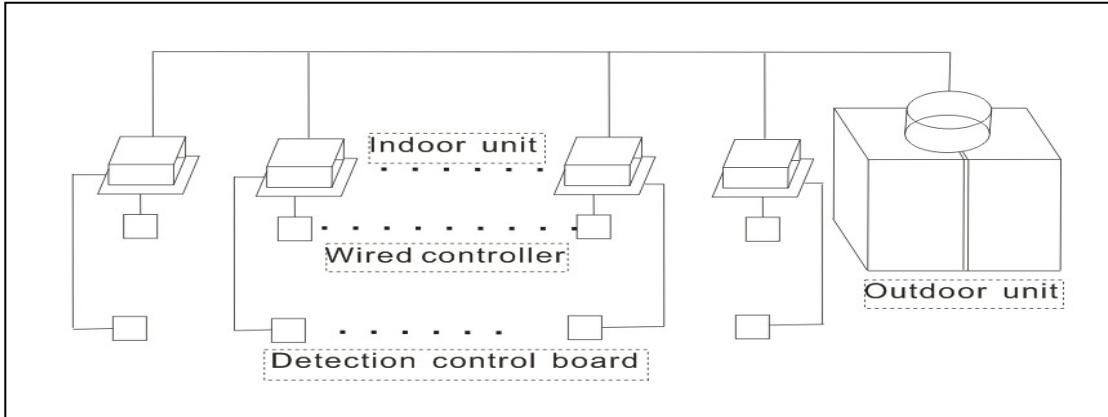


Fig.1 Communication Network of Detection Control Board for VRF series

2. Working Process of Gate Control

- 1) If the gate-control card is not plugged in after powering on the complete unit, the indoor unit will be in the state without gate-control function and can be operated by remote controller or buttons on it.
 - 2) Powering on the AC and plugging in the card, the unit will be in the state with gate-control function after 5-second detection. The present running state of the AC won't be affected (the unit on/off state will be kept) after plugging in the card. If plugging out the card, the AC will automatically stop after 5-second detection.
- Once plugging in the card, indoor unit will be considered as the one with gate-control function, which can be canceled only after powering off and then powering on the unit.

3. Detection Control Board Interface Sketch is shown in Fig.2:

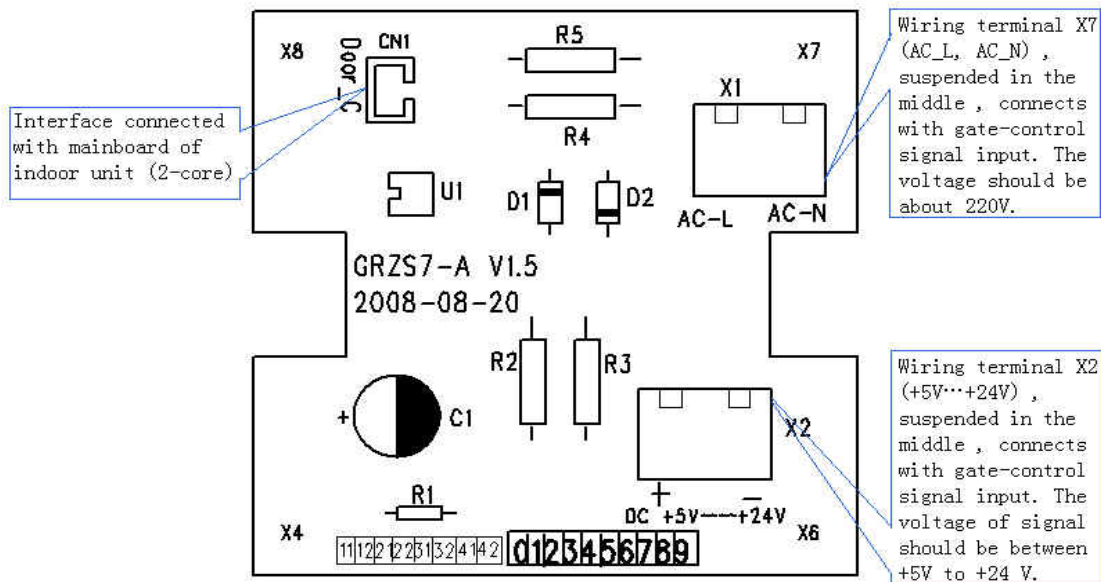


Fig2: Detection Control Board Interface Sketch

The gate-control function can be realized after the detective interface of detection control board connects with interface of gate-control card and signal interface of it connects with the mainboard.

4. Products Parameters

Model: 89KCM-100A gate controller

Working Voltage: AC 220-240V, 50HZ or DC +5V-+24V

Power: 1W

Working temperature: -10 --48°C

5. Installation of Detection Control Board

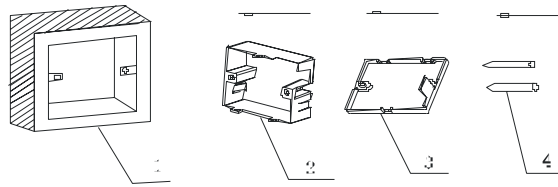


Fig. 3 Installation Sketch of Detection Control Board

No.	1	2	3	4
Description	Base box of socket installed in the wall , a hole with(L×W×D) 100mm×100mm×50mm	Bottom plate of detection control board	Front panel of detection control board	Screw M4X25

Note: Detection control board with (L×W×H) 73.5mm×73.5mm×33.0mm

Fig.3 is about installation process of detection control board. The following items should be attended.

1. Installation must be performed by professionals. Either 220-240V or DC 5-24V is ok.
2. Cut off the power of heavy current wire covered in the mounting hole in the wall before installation. Never perform the installation with electricity.
3. Press the bottom plate of the detection control board on the wall, and then make it and front panel of detection control board together.
4. At last fix the bottom plate and front panel of detection control board together with screw ST2.2X6.5.
5. There shouldn't be any large-power electric appliance and firming base nearby to avoid interference source.
6. Avoid sunlight and rain and do not install it at wet space.
7. Do not install the unit at the place where there is corrosive gas, serious dust, salt fog and oil smoke or which is specially wet.
8. The detection control board must be installed at concealed place and far from water and fire.

Thank you for Choosing



www.delta-dct.com



66129916183